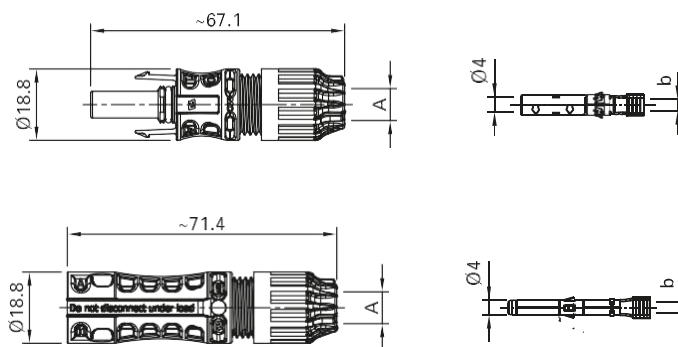






# Genuine MC4 EVO2 1500V Connector Pairs SE0151

## Product Data



Male, Female Cable Connector are Separate Parts (Include Insulation Parts)

Purchase No.	Part No.	Female Connector	Male Connector	Cable O.D. Connector	Conductor Cross Section Area		b (mm)	Certification
					A (mm)	mm <sup>2</sup> / AWG		
32.0082P0001-UR	32.0082P0001-UR	x		4.7-6.4	2.5	14	3	   
32.0083P0001-UR	32.0083P0001-UR		x					
32.0084P0001-UR	32.0084P0001-UR	x		6.4-8.4	4; 6	12; 10		
32.0085P0001-UR	32.0085P0001-UR		x					
32.0086P0001-UR	32.0086P0001-UR	x		4.7-6.4	4; 6	12; 10	5	
32.0087P0001-UR	32.0087P0001-UR		x					
32.0088P0001-UR	32.0088P0001-UR	x		6.4-8.4	10	8	7.2	
32.0089P0001-UR	32.0089P0001-UR		x					
32.0092P0001-UR	32.0092P0001-UR	x						
32.0093P0001-UR	32.0093P0001-UR		x					

- IEC, UL, JET & cTÜVus Certified
- Application for 1500 V DC (IEC, JET) & 1500 V DC (UL)
- Professional technology on Quality and Durability
- IP68 Rating
- On site or Pre-installed ways are allowed, standard crimping tools can be applied into use.

## Technical Data

Connector System	Ø 4 mm
Rated Voltage	1000 V DC / 1500 V DC (TÜV) <sup>1)</sup> 600 V DC / 1000 V 3) DC / 1500 V DC (UL) <sup>2)</sup> 1500 V DC (JET) <sup>3)</sup>
Rated Current (TÜV85 °C)	39 A (2.5 mm <sup>2</sup> / 14 AWG) 45 A (4.0 mm <sup>2</sup> / 12 AWG) 53 A (6.0 mm <sup>2</sup> / 10 AWG) 69 A (10.0 mm <sup>2</sup> / 8 AWG)
Rated Pulse Voltage	12 kV (1000 V) 16 kV (1500 V)
Ambient Temperature Range	-40 °C ...+85 °C (TÜV / UL)
Upper Temperature Limit	115 °C (TÜV)
Protection Level: Inserted Uninserted	IP65 / IP68 (1h / 1m) IP2X
Overvoltage Category/Pollution Degree	CAT III / 3
Connector Contact Resistance	≤0.2 mΩ
Security Level	II
Connection System	MULTILAM
Wiring Type	Crimp
Contact Material	Copper/Tin plated
Insulation Material	PA
Locking System (UL)	Embedded
Flammability	UL94-V0
Ammonia Resistance (DLG)	Q60095359
TÜV Certification, in line with IEC 62852:2014 standard	R60098495
UL Certified, in line with UL 6703 Standard	E343181
CTÜVus Certified, in line with UL6703 Standard	CU 72141256 01
JET Certified, in line with IEC 61730-1:2004 Standard	1625-C4302-167

1. Connectors are suitable for USE2 or PV-Wire Cables
2. Connectors are suitable for Cables with "S-JET Mark

**Please Note:**

Please consult with your Electrician/Engineer to ensure suitability for the intended application and installation.

PGK Distribution takes every precaution to ensure the information in this publication is correct but accepts no liability of any kind and reserves the right to change any detail in this catalogue without notification.