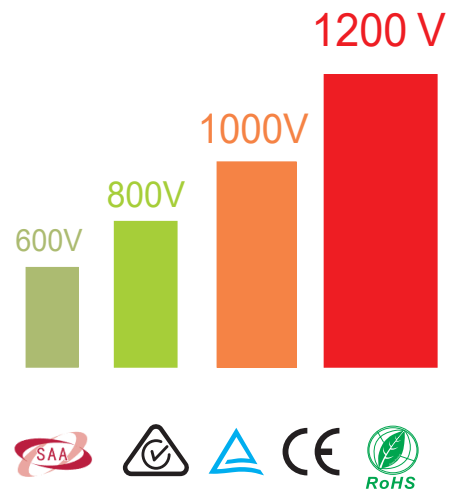


SE030M, SE030N 1200V DC Isolator 32A DIN Rail Mounting



Technical Specifications

Type	SE030M, SE030N
Function	Isolator, Control
Standard	IEC60947-3, AS60947.3
Utilization category	DC-PV2 / DC-21B
Pole	4P
Rated frequency	DC
Rated operational voltage (U_e)	600V, 800V, 1000V, 1200V
Rated operational current (I_e)	See the next page
Rated insulation voltage (U_i)	1200V
Conventional free air thermal current (I_{th})	II
Conventional enclosed thermal current (I_{th})	Same as I_e
Rated short-time withstand current (I_{cw})	1kA, 1s (4, 4S, 4B); 1.7kA, 1s (2H)
Rated short-time making capacity (I_{cm})	1.7kA (4, 4S, 4B); 3kA (2H)
Rated conditional short-circuit current (I_{cn})	3kA
Rated impulsive withstand voltage (U_{imp})	8.0kV
Overvoltage category	II
Suitability for isolation	Yes
Polarity	No polarity, "+" and "-" polarities could be interchanged.
Mechanical	15000
Electrical	1000
Ingress Protection	IP40 (SE030M), IP66 (SE030N)
Storage Temperature	-5°C ~ +85°C
Mounting Type	DIN Rail
Pollution degree	3
Suitable environment	Indoor

SE030M, SE030N 1200V DC Isolator 32A DIN Rail Mounting



Identification	Rating Data		
	Switch, unenclosed – catalogue number with DC-PV2 rating)	SE030M, SE030N	
Specific dedicated individual enclosure – catalogue number (with minimum IP56NW rating)	SE030C IP66NW		
Assembly of switch and specific dedicated individual enclosure – catalogue number	SE030C, SE030D, SE030F, SE042D, SE042F, SE042I		
I_{th} rated thermal current, unenclosed, at 40°C shade ambient air temperature	32 amps		
I_{the} rated thermal current, indoors, at 40°C shade ambient air temperature, in a specific dedicated enclosure	32 amps		
I_{the} rated thermal current outdoors at 40°C shade ambient air temperature without solar effects in a specific dedicated enclosure rated IP56NW	32 amps		
I_{the} solar current value outdoors at 60°C shade ambient air temperature (see D.8.3.11, table D3), with solar effects in a specific dedicated enclosure rated IP56NW	29 amps		
	U_e rated operational voltage DC volts	I_e : DCPV2 rated operational current Amps	$I_{(make)}$ and $I_{c(break)}$ DC-PV2 4 x I_e Amps
2 Pole (<u>1</u> / <u>2</u> / —)	≤600	32	128
	800	13	52
	1000	9	36
	1200	9	36
4 Pole (<u>1</u> / <u>2</u> / <u>3</u> / <u>4</u> / —)	≤600	32	128
	800	32	128
	1000	32	128
	1200	32	128

SE030M, SE030N 1200V DC Isolator 32A DIN Rail Mounting



Wiring Diagram for Rated operational voltage U_e (V) & Rated operational current I_e (A)

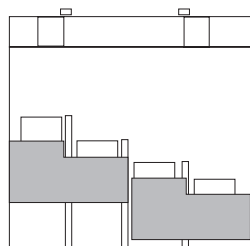
Contacts Wiring Diagram	600V	800V	1000V	1200V	Poles in Series	Number of Strings	Type Number	Weight kg/PCS
	32A	13A	9A	9A	2	2	4	0.70
	40A	/	/	/	2	1	2H	0.70
	32A	32A	32A	32A	2	1	4B	0.70
	32A	32A	32A	32A	4	1	4S	0.70

Switching Configurations

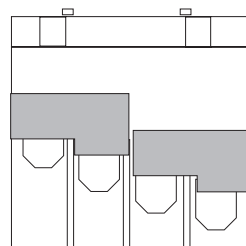
Type	4-Pole	2-Pole 4 Paralleled Poles	4-Pole with Input and Output Bottom	4-Pole with Input and Output Bottom
/	4	2H	4B	4S
Contacts Wiring Graph				
Switching Example				

Bridging links installation

Installed Incorrectly



Installed Correctly



Please note that all connections (including bridging link connections) should be tightened before energization.

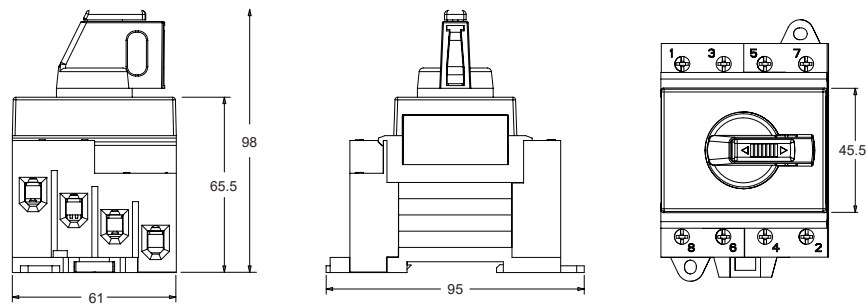
SE030M, SE030N 1200V DC Isolator 32A DIN Rail Mounting



Terminals/Connection	
Type	SE030M, SE030N
Number of poles	4-pole
Terminal designation, main circuit	1; 3; 5; 2; 4; 6; 7; 8
Type of terminal, main circuit	Screw terminal
Rated cross sectional area, main circuit	4.0-16mm ²
Type of conductor	4-16mm ² (Rigid: Solid or Stranded)
	4-10mm ² (Flexible)
Number of conductors per terminal	1
Required preparation of the conductor	Yes
Stripping length (mm), main circuit	8mm
Tightening torque (M4), main circuit	Min: 1.2Nm
	Max: 1.8Nm

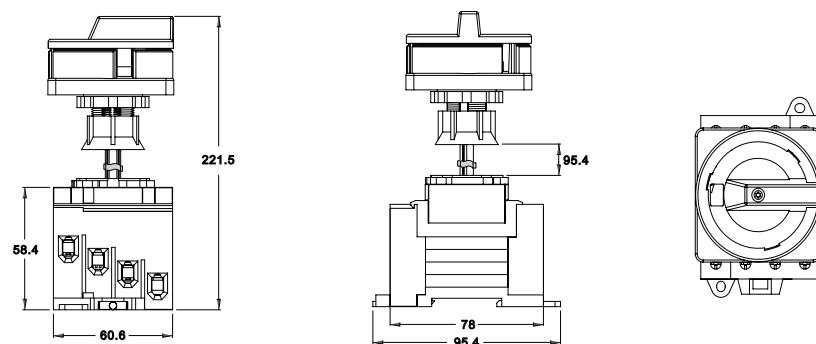
Dimensions (mm)

SE030M
DIN Rail Mounting
Lockable handle
IP40



The handle length can be custom made

SE030N
Base Mounting
(Door coupling)
Lockable handle
IP66



SE030M, SE030N 1200V DC Isolator 32A DIN Rail Mounting



Pole Rating: Data from AS60947-3: 2018

Main Contacts		Type		Appendix B5	
Rated Thermal current I_{the}		A	32	Making & Breaking 5X operations	
Rated Insulator Voltage U_i		V	1200		
Distance of contacts (per pole)		mm	8		
Rated Operational Current I_e (DC-PV2)					
1 pole 1		300V	A	25	100
		400V	A	10	40
		500V	A	8	32
		600V	A	8	32
		800V	A	3	12
		1000V	A	2	8
4 pole 2 pole in series 4		500V	A	32	128
		600V	A	32	128
		700V	A	13	52
		800V	A	13	52
		900V	A	9	36
		1000V	A	9	36
2 pole 4 parallel poles		500V	A	40	160
		600V	A	40	160
		700V	A	/	/
		800V	A	/	/
		1000V	A	/	/
		1200V	A	/	/
2 pole 4 pole in series 4B		500V	A	32	128
		600V	A	32	128
		800V	A	32	128
		800V	A	32	128
		900V	A	32	32
		1000V	A	32	32
		1200V	A	32	32

Please Note:

Please consult with your Electrician/Engineer to ensure suitability for the intended application and installation.

PGK Distribution takes every precaution to ensure the information in this publication is correct but accepts no liability of any kind and reserves the right to change any detail in this catalogue without notification.

PGK Distribution

VIC Main Office

8 Mohr St Tullamarine, Vic 3043

T: 1300 PGK SOL

www.pgkdistribution.com.au